

**OKAYO**  
Sound & Communication

**E-J ELECTRONICS CO., LTD.**

4F, No.11, Lane 125, Sec 1, Kuo Kwang Rd., Ta Li City,  
Taichung Hsien, Taiwan

Tel: +886-4-2407-1617 Fax: +886-4-2407-1609

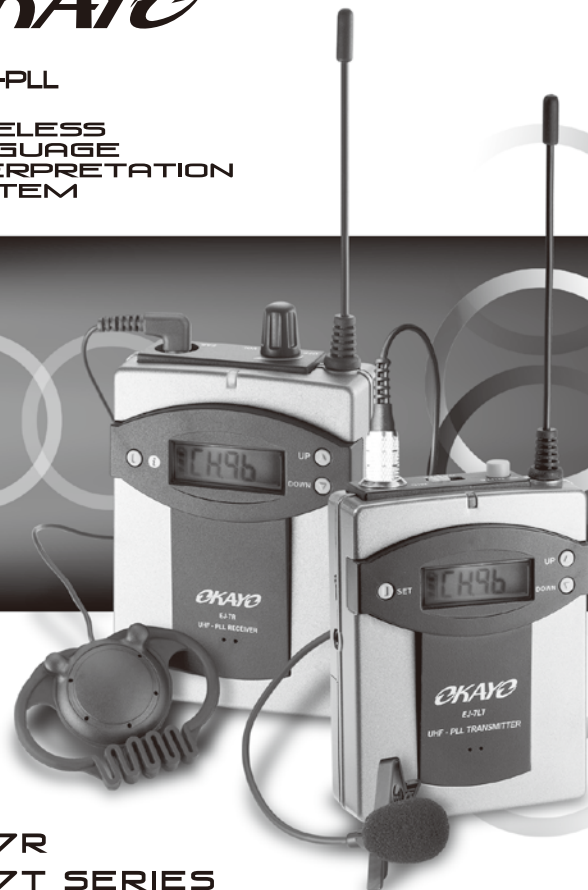
E-mail: okayo@okayo.com  
www.okayo.com

2008-06-EJ-7R/7T/TLT/7XT

**OKAYO**

UHF-PLL

WIRELESS  
LANGUAGE  
INTERPRETATION  
SYSTEM



**EJ-7R  
EJ-7T SERIES**

**[USER MANUAL]**

## Preface:

First of all, we would like to appreciate you for buying our UHF 96-channel Tour Guide System. This manual contains complete functions and instructions about this system. Therefore, please read it over before you start to use this product.

## Catalog:

### **EJ-7R Bodypack UHF Wireless Receiver**

EJ-7R Instruction.....	1
Operation.....	3~4
Troubleshooting.....	5
Specification.....	6

### **EJ-7T Bodypack UHF Wireless Transmitter**

EJ-7T/7LT/7XT Instruction.....	7
Operation.....	9~10
Specification.....	11
MEMO.....	12

## EJ-7R Bodypack UHF Wireless Receiver

### ① Volume/power control

- The volume can be adjusted to appropriate level by rotating the volume control clockwise; the power can be turned on when you rotate the knob clockwise and hear 'click', and vice versa.

### ② Power/reception indicator

- (1) The indicator will be red when the unit is turned on.
- (2) When the unit receives signals, this indicator will show green light.

### ③ 3.5 mm earphone jack

- Both of mono and stereo earphones can be used upon the user's preference.

### ④ Information

- **i** Indicates information. The current channel is shown on the LCD when pressing the **i** button.

### ⑤ LCD

- (1) When the power is turned on, LCD is active at the same time. The power containing and the current channel are shown on the screen.
- (2) The screen is in energy-saving mode when there is no touch on the mode in 5 seconds; you can press **i** or **▲▼** again to active the screen or reset the channel.

### ⑥ Channel selection

- Press **▲▼** to set the channel

### ⑦ Charging port

- Put in the lead here to connect with the specific charger.

### ⑧ Aux out volume control

- 3 levels of the loud of volume: HI, MID and LOW.

### ⑨ 3.5mm Aux out

- This output can be connected with other amplifiers or speakers.

### ⑩ Antenna

- Flexible antenna

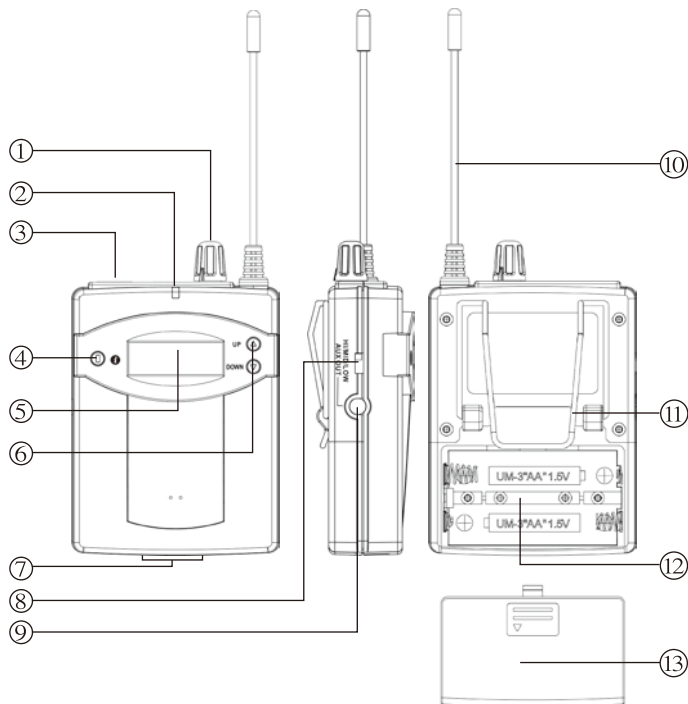
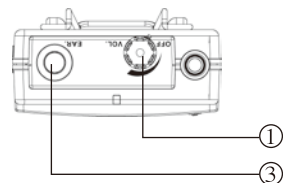
### ⑪ Belt clip

- Two-way clip

### ⑫ Battery case

- Insert 2 pcs x 1.5 V AA alkaline batteries or 2 pcs x 1.2 V AA rechargeable batteries with correct polarity in the compartment.

### ⑬ Battery cover



## Operation



### Insert batteries:

1. Push the battery cover gently in advance and then pull it off.
2. Insert 2 1.5 V AA alkaline batteries or 1.2V AA rechargeable batteries.
3. Push the battery cover back to close the case.

### Turn the unit on:

1. Turn on the volume control in clockwise direction.
2. Then, the power / reception indicator will become red.
3. The light will turn to green when the unit has received the signal. At the same time, the LCD is active and shows .
4. The channel is shown as well .
5. Put the earphone EM-101 or E-305 in the earphone jack and adjust the volume.

### Channel setting:

1. Select a channel by pressing .
2. As soon as the channel is definitely chosen, keep the selected channel on the display.
3. The channel is set successfully.

### Aux out volume control:

This output can be connected with other amplifiers or speaker.



Powered Speaker

## Operation

### LCD display instructions:

1. 8<sup>th</sup> channel is selected and batteries are fully charged.
2. Batteries are going to be out of electricity. Please recharge soon.
3. When the battery frame blinks, batteries are out of electricity. The frame will blink until the unit turns off automatically.

- ※ 1. The insufficient power of batteries can decrease the performance on transmission and receiving
- 2. To recharge the 1.2 V AA (Ni-MH, 1600 mAh) rechargeable batteries, you need to choose the specialized chargers, such as 2-slot HDC-707.

### Caution!

- ※ Do not put non-rechargeable batteries in the charger or it would cause a great danger, such as explosion or battery leakage.
- ※ Pls take out of the batteries if the unit has not been used for a period in order to avoid the leakage.



HDC-707

### Turn the unit off:

1. Turn the unit off in the counterclockwise direction.
2. Meanwhile, the LCD will show .
3. If there are not other functions being activated, the power/reception indicator, backlight and LCD will be off after it shows "OFF" on LCD.

## Troubleshooting

<b>Unable to turn on the unit</b>	<ol style="list-style-type: none"> <li>1. Be sure the batteries are inserted in the unit.</li> <li>2. Be sure the polarities of batteries are correct.</li> </ol>
<b>Unable to hear any voice from the receiver</b>	<ol style="list-style-type: none"> <li>1. Be sure the receiver and the transmitter are at the same frequency.</li> <li>2. Be sure the volume is adjusted to the appropriate level.</li> <li>3. Be sure the distance between the receiver and the transmitter are accepted.</li> </ol>
<b>The receiver is interfered when pairing with the transmitter</b>	<ol style="list-style-type: none"> <li>1. If there are 2 transmitters around users, select another different frequency to avoid potential interferences. If interference still exists, select another frequency again until the problem is solved.</li> <li>2. Interferences might come from other RF products, such as television or radio. Please select another frequency.</li> </ol>
<b>The LCD display shows ERR</b>	<ol style="list-style-type: none"> <li>1. Turn the volume control off in counterclockwise direction, and then turn it on again step by step.</li> <li>2. If the problem still cannot be solved, please contact with your local supplier for repairing.</li> </ol>

## Specification

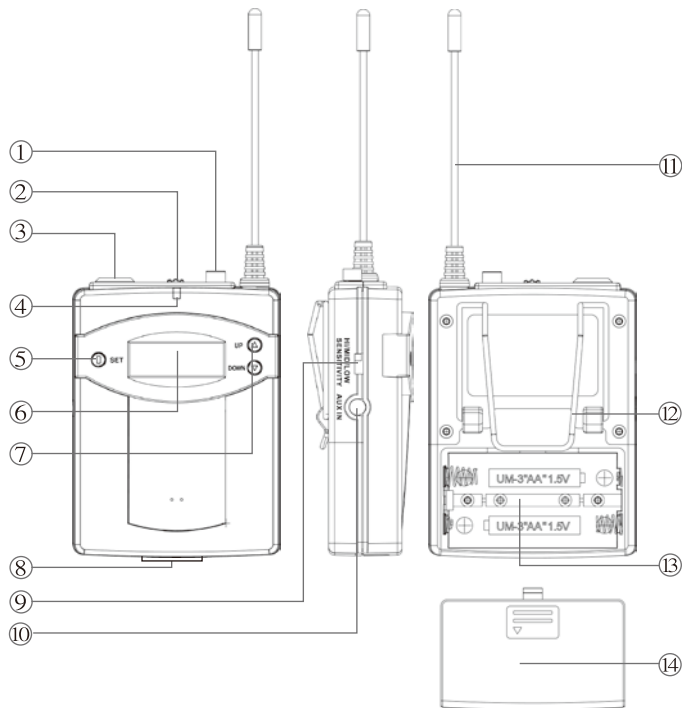
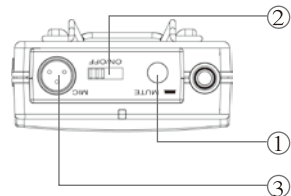
<b>Oscillation mode</b>	PLL synthesized
<b>Receiver frequency range</b>	Group 1. 640~664 MHz (96 ch) Group 2. 740~752 MHz (96 ch) Group 3. 794~806 MHz (96 ch) Group 4. 863~865 MHz (16 ch)
<b>Frequency width</b>	Maxima 12 MHz
<b>Dynamic range</b>	>80dB
<b>T.H.D.</b>	<1%
<b>Pre/De-emphasis</b>	<50 $\mu$ S

## Specification

<b>Antenna</b>	Flexible antenna
<b>RF spurious rejection</b>	55 dB @ 250 kHz
<b>Adjacent channel performance</b>	55 dB @ 250 kHz
<b>IMD rejection</b>	55 dB 400 kHz & @ 800 kHz
<b>Double intermediate</b>	243.95 MHz/10.7 MHz
<b>AUX out</b>	-5 dBv/-10 dBv/-15 dBv/@1 kHz MOD 20 kHz with Hi/Mid/Low switch
<b>Audio level</b>	Max 750 mV Up
<b>Earphone connector</b>	3.5 mm jack socket for both of mono or stereo one
<b>Battery</b>	1.2 V (Ni-MH, 1600 mAh) x 2 AA type rechargeable batteries 1.5 V x 2 AA Alkaline disposable batteries
<b>Power supply</b>	14 hours typical in Ni-MH. rechargeable batteries. 17 hours typical in Alkaline disposable batteries.
<b>Dimensions(L*W*H)</b>	98 x 64 x 26 mm
<b>Weight</b>	175 g (with batteries)

## Bodypack UHF Wireless Transmitter(EJ-7T/7LT/7XT)

- ① Mute control
- ② Power switch(ON/OFF)
- ③ 3.5 mm screw-type(EJ-7LT) or 3.5mm push-in(EJ-7T) 3-pin (EJ-7XT) microphone input
- ④ Power indicator
  - It turns red when the unit is turned on
- ⑤ Frequency set
- ⑥ LCD
- ⑦ Channel selection
- ⑧ Charging port
- ⑨ Sensitivity switch
- ⑩ 3.5mm Aux In
- ⑪ Antenna  
Flexible antenna
- ⑫ Belt clip
  - Two-way clip
- ⑬ Battery case
  - Insert 2 pcs x 1.5 V AA alkaline batteries or 2 pcs x 1.2 V AA rechargeable batteries with correct polarity in the compartment.
- ⑭ Battery cover



## Operation



### Insert batteries:

1. Push the battery cover gently in advance and then pull it off.
2. Insert 2 1.5 V" AA alkaline batteries or 1.2V" AA rechargeable batteries.
3. Push the battery cover back to close the case.

### Turn the unit on:

1. Turn on the power switch ②. The red light and the LCD are on.

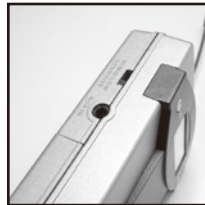
### Channel setting:

After turning on the unit, the current channel **CH01** is shown on the LCD. Press "SET" ⑤ for 2-3 seconds until the channel number starts to blink **CH01**, and then press Up or Down ⑦ to select the channel from 1-16 or 1-96. Press "SET" again after setting the channel.

- EJ-7T is recommended to use LM-70A lapel microphone or HM-50A headset microphone with the 3.5 mm push-in type plug.
- EJ-7LT is recommended to use LM-90S lapel microphone or HM-50S headset microphone with the 3.5 mm screwed-type plug.
- EJ-7XT is recommended to use LM-90C lapel microphone or HM-50C/HM-60C/mina-XLR headset microphone.

Please choose the recommended microphones to match with the different units.

## Operation




You can set the sensitivity of built-in microphone based on different usages ⑨.

- HI-very sensitive
- MID-the average
- LOW-less sensitive

AUX IN-to connect with external sound signal, such as MP3 ⑩....

When you are not using the microphone temporarily, you can push " MUTE " in silent mode . Push " MUTE ① " again and then you can start to use the microphone.

### LCD display instructions:

- CH08** 1. 8<sup>th</sup> channel is selected and batteries are fully charged.
- CH08** 2. Batteries are going to be out of electricity. Please recharge soon.
-  3. When the battery frame blinks, batteries are out of electricity. The frame will blink until the unit turns off automatically.

- ✘ **1. The insufficient power of batteries can decrease the performance on transmission and receiving**
- 2. To recharge the 1.2 V AA Ni-MH. 1600 mAh rechargeable batteries, you need to choose the specialized chargers, such as 2-slot HDC-707.**

Caution!

- ✘ Do not put non-rechargeable batteries in the charger or it would cause a great danger, such as explosion or battery leakage.
- ✘ Pls take out of the batteries if the unit has not been used for a period in order to avoid the leakage.



HDC-707

### Turn the unit off:

1. Turn the unit off in the counterclockwise direction.
2. Meanwhile, the LCD will show **OFF**
3. If there are not other functions being activated, the power/reception indicator, backlight and LCD will be off after it shows "OFF" on LCD.

## Specification

### EJ-7T / 7LT / 7XT Bodypack Receiver

<b>Capsule</b>	condenser
<b>Antenna</b>	flexible antenna
<b>RF output</b>	10 mW
<b>Spurious emission</b>	less than 250 nW
<b>Audio input</b>	Mic in, Aux in
<b>Input jack</b>	push-in (EJ-7T), screw-type (EJ-7LT), mini XLR (EJ-7XT)
<b>AF control</b>	Mute switch, Hi/Mid/Low switch
<b>Battery</b>	1.2 V (Ni-MH. 1600 mAh) x 2 AA type rechargeable batteries 1.5 V x 2 AA Alkaline disposable batteries
<b>Power supply</b>	11 hours typical in Ni-MH. rechargeable batteries. 14 hours typical in Alkaline disposable batteries.
<b>Housing</b>	aluminium
<b>Size (L x W x H)</b>	26 x 64 x 88 mm
<b>Weight</b>	170 g (with batteries)

## MEMO